

Instructions and Parts List

Scotch® Filament Tape Dispenser H130

Description

The Scotch® Filament Tape Dispenser H130 is a lightweight hand held unit made with high impact, durable plastic. The H130 features a braking device that enables the operator to apply tension to the tape. The H130 is useful for a wide variety of carton reinforcing and bundling applications.

Specifications

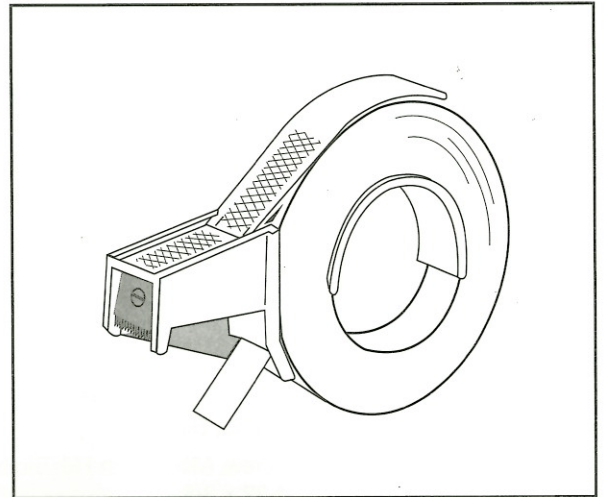
Tape: For use with all Scotch® Filament Tapes, Reinforced Strapping Tapes and Film Strapping Tapes up to 3/4 inch [19 mm] widths maximum

Tape Widths: 1/4 inch [6 mm] minimum
3/4 inch [19 mm] maximum

Tape Roll Diameter: 5-1/2 inch [140 mm] maximum on a 3 inch [76,2 mm] diameter core.

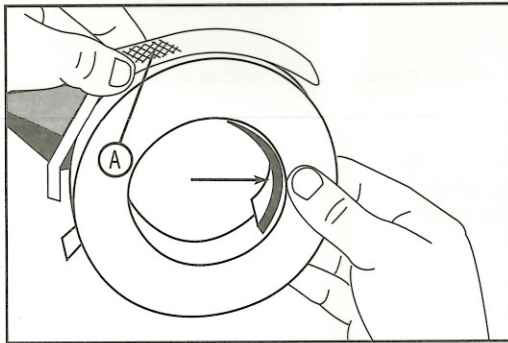
Overall Dimensions:

Length: 7-1/2 inches [190 mm]
Height: 2-1/2 inches [65 mm]
Width: 1-1/2 inches [40 mm]
Weight: Unpackaged 3 oz. [85 gm]
Packaged 8 oz. [230 gm]

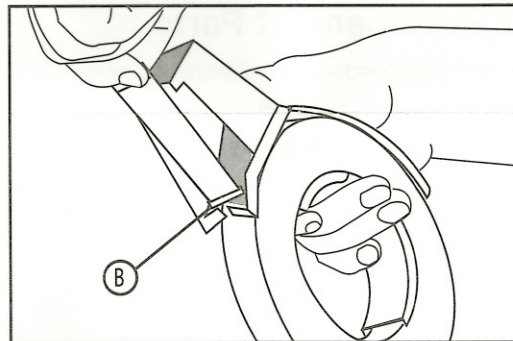


Scotch® Filament Tape Dispenser H130

Loading Instructions

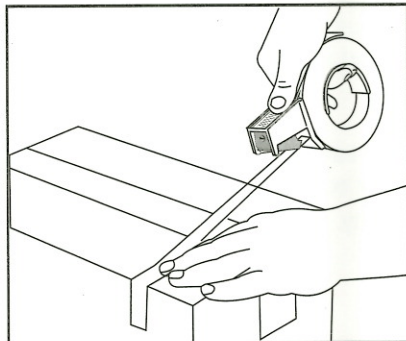


1. Lift up on brake (A), start roll over back edge of dispenser's tape roll grip as shown by arrow. Push tape roll forward and press down to fully mount tape roll.

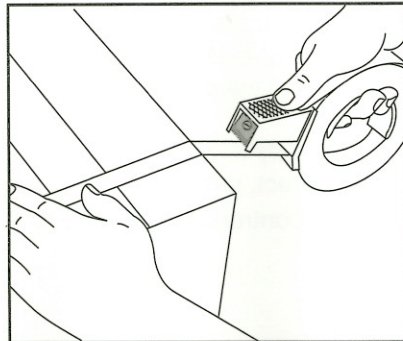


2. Pull 3 to 4 inches [80 to 100 mm] of tape from roll, apply tension to brake to hold roll. pull on lead tab to snap tape into guide slot (B). Dispenser is ready to use.

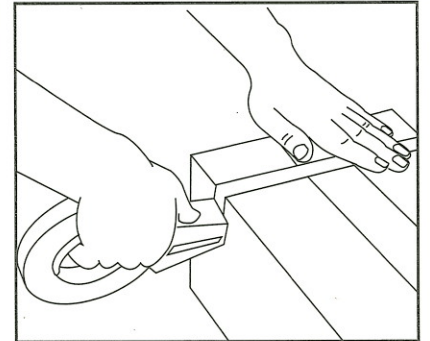
Operating Instructions



1. Pull out desired length of tape and apply it to carton.



2. To obtain a tight wrap, apply hand pressure on a brake and pull tape tight. With tension on tape, buff it to carton.



3. Bring dispenser down and in against side of carton. Use nose of dispenser to adhere tape. To cut tape, push down and turn dispenser slightly.